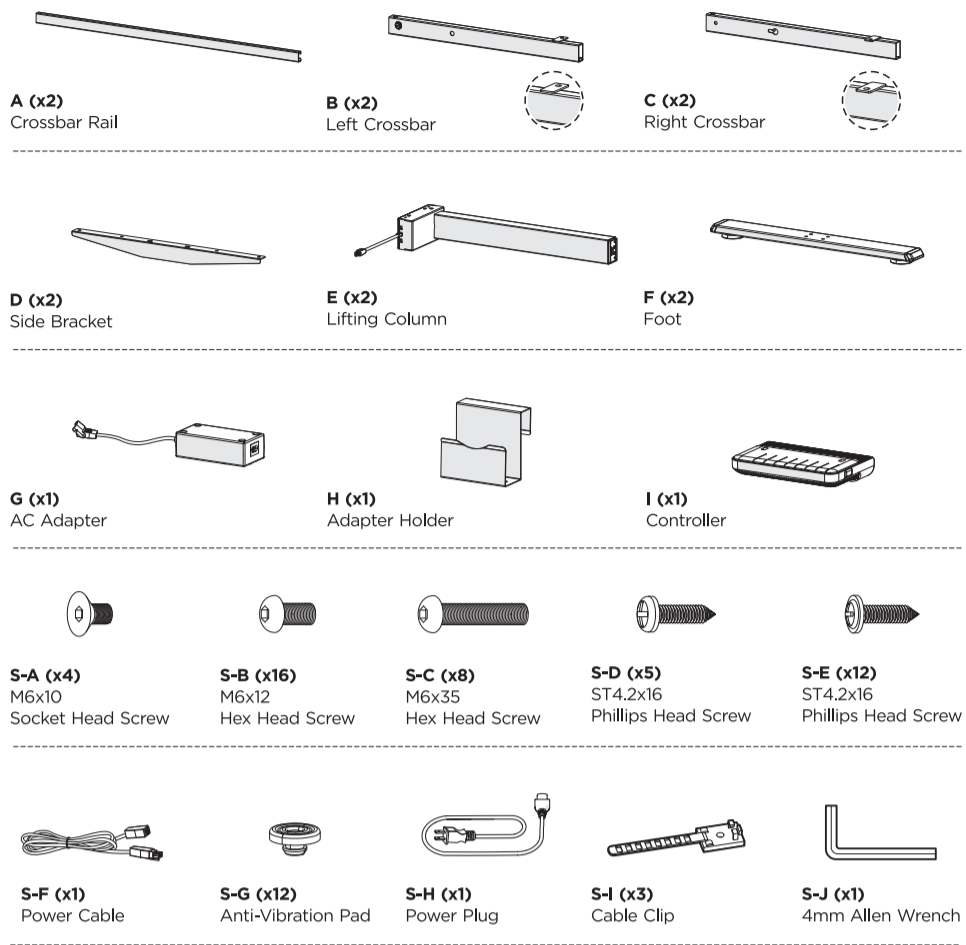
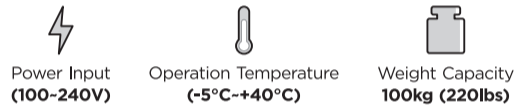


## Checklist and Installation

Please check all of the components shown in the component checklist. If any of the components are missing or damaged, contact your point of purchase for a replacement.



What important specifications should know before installation?

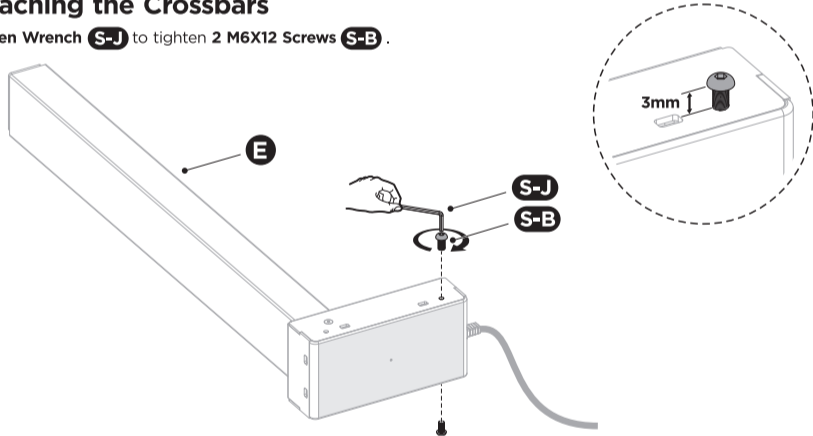


What tools are needed to assemble the desk frame?

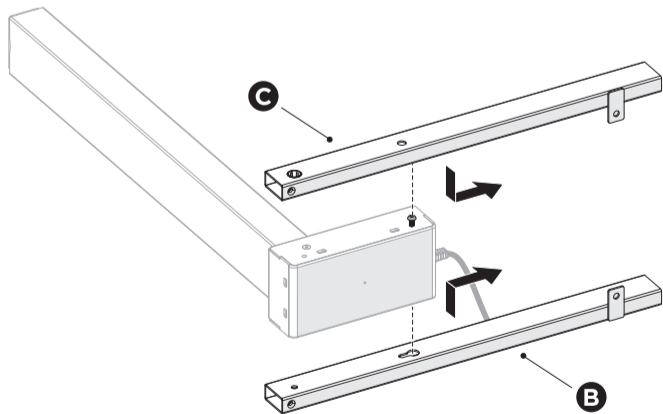


### 1. Attaching the Crossbars

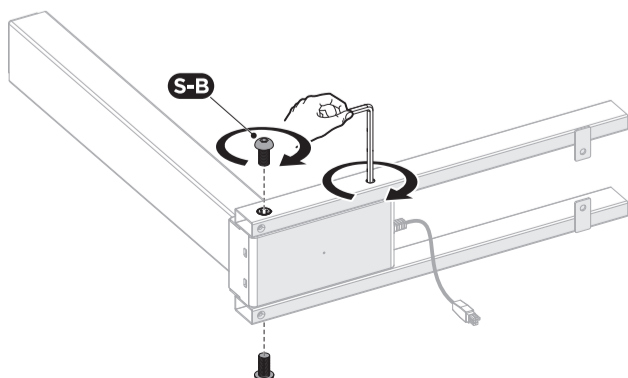
- Use **Allen Wrench (S-J)** to tighten 2 **M6X12 Screws (S-B)**.



- Attach the **Left Crossbar (B)** and the **Right Crossbar (C)** to the **Lifting Column (E)** as shown below.

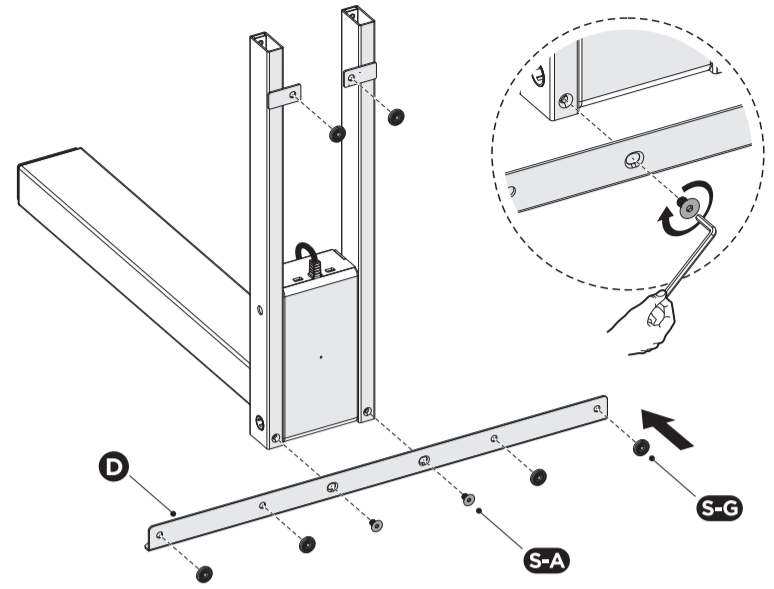


- Secure the crossbar using 2 **M6X12 Screws (S-B)** and tighten all the screws on the crossbar.
- Repeat the same process to attach the other two crossbars on the other side.



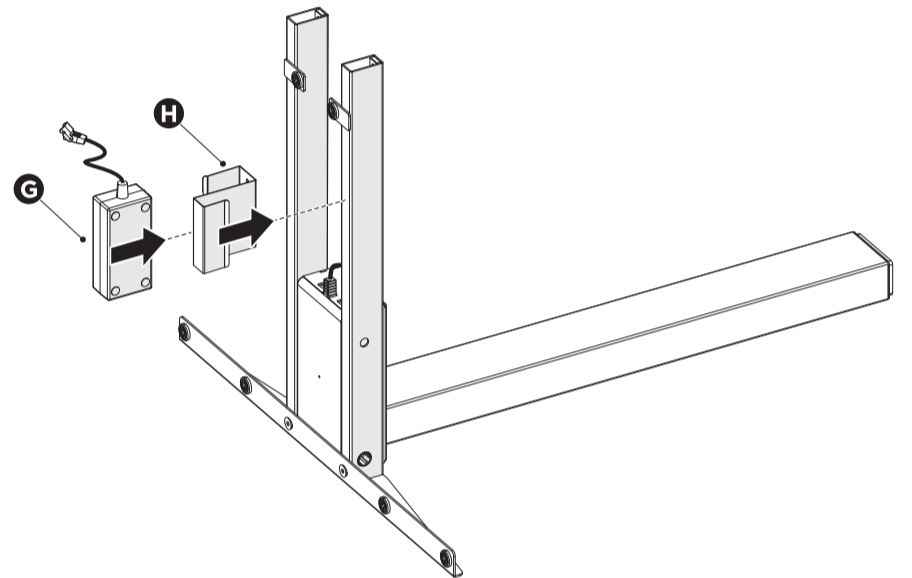
### 2. Attaching the Side Brackets

- Attach each **Side Bracket (D)** to the **Lifting Column** using 2 **M6x10 Screws (S-A)**.
- Attach 6 **Anti-Vibration Pads (S-G)** to the **crossbars** and **Side Bracket (D)** as shown below.
- Repeat the same process to attach the other side bracket.



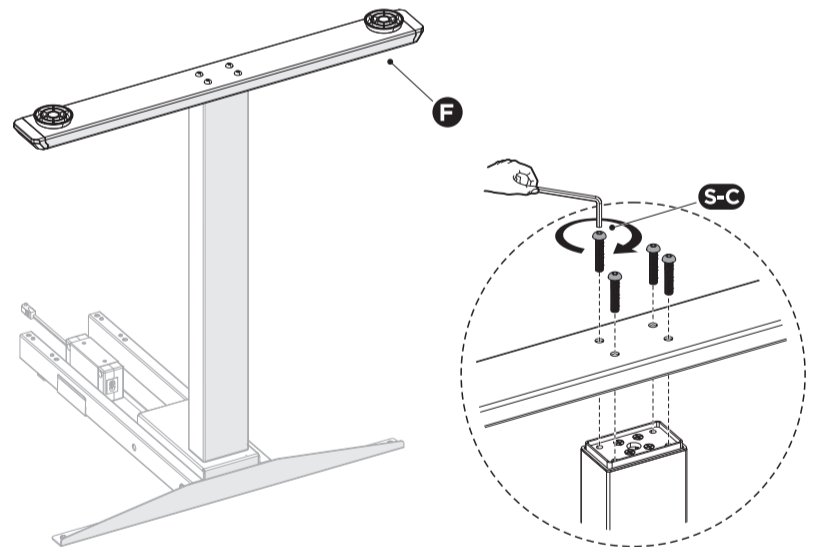
### 3. Attaching the AC Adapter

- Insert the **AC Adapter (G)** to the **Adapter Holder (H)**, then hang the holder on the crossbar.



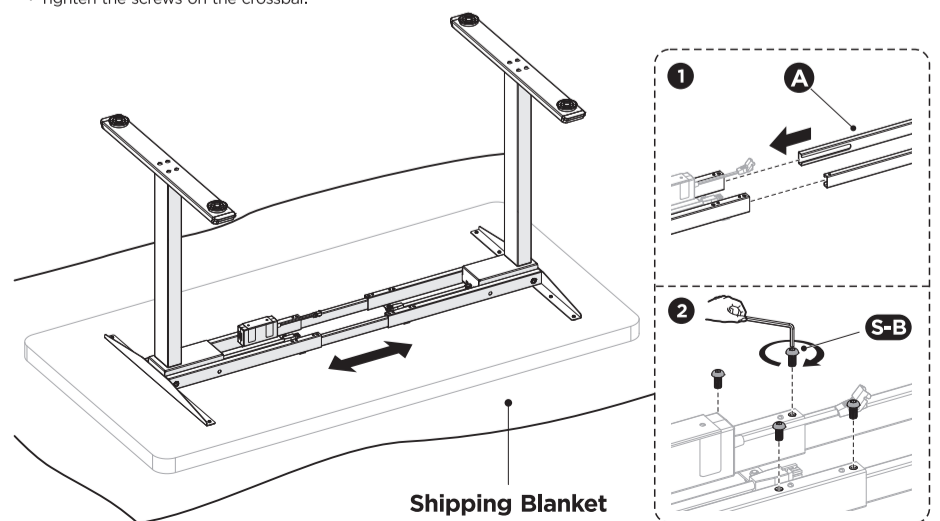
### 4. Attaching the Feet

- Attaching the **Foot (F)** to the **Lifting Column** using 4 **M6x35 Screws (S-C)**.
- Repeat the same process to attach the other foot.



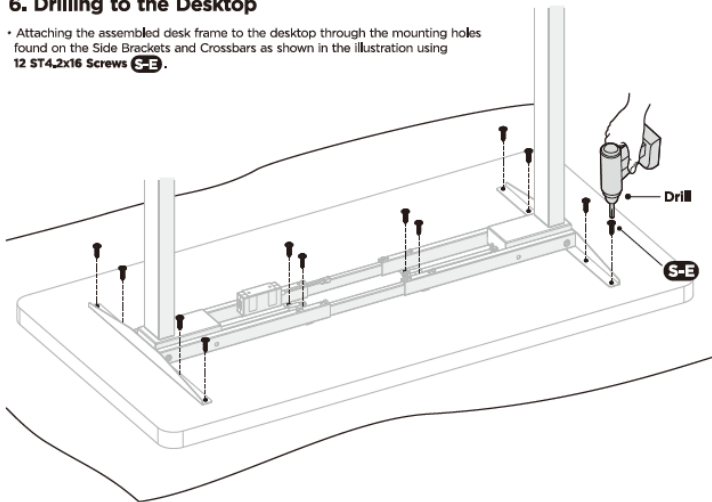
### 5. Adjusting the Frame and Attaching the Crossbar Rail

- Carefully place the desktop (not included) upside down on the blanket/floor.
- Place the legs one on each side of the top as shown below.
- Adjust the crossbar to the size of the desktop. Ensure that the frame is placed in the center of the desktop.
- Attach the **Crossbar Rails (A)** as shown below.
- Secure the frame using 4 **M6X12 Screws (S-B)**.
- Tighten the screws on the crossbar.



## 6. Drilling to the Desktop

- Attaching the assembled desk frame to the desktop through the mounting holes found on the Side Brackets and Crossbars as shown in the illustration using 12 ST4.2x16 Screws **S-E**.

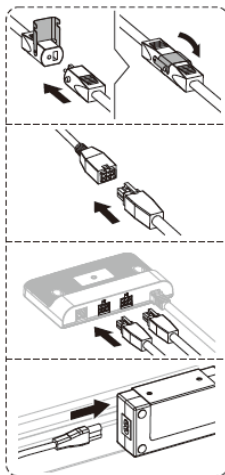
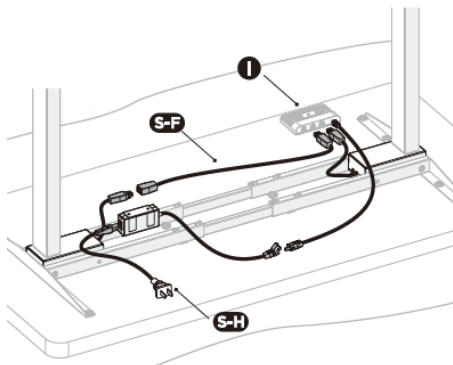


## 7. Connecting Cords

- Connect the Controller **1** with the AC Adapter as shown.
- Connect the Controller with 2 Lifting Columns. Use the Power Cable **S-F** for the Lifting Column on the far side.
- Insert the Power Plug **S-H** into the AC Adapter.

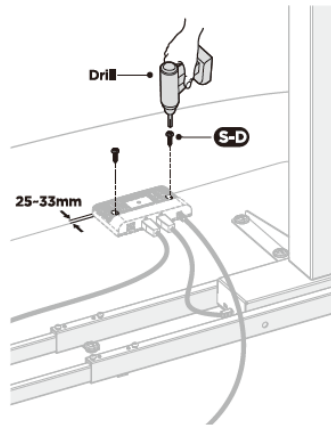
### Note:

- Do not plug into the power before the desk is fully assembled.



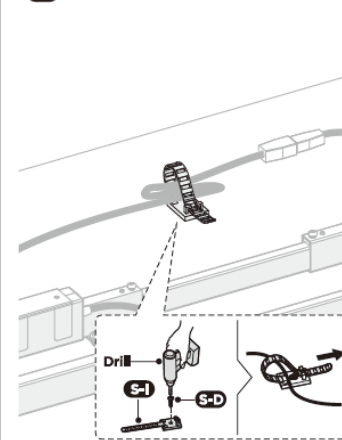
## 8. Attaching the Controller

- Attach the Controller to the desktop using 2 ST4.2x16 Screws **S-D**.



## 9. Cable Management

- Run the cables through the Cable Clips **S-I** and attach the Cable Clips to the desktop with ST4.2x16 Screws **S-D** to ensure clean and neat surface.



## 10. Adjusting the Desk

- Turn over the desk with the help of another person.
- There are two adjustable foot pads under each foot. If the floor isn't even, simply turn the pad to adjust the level to make the desk stable.
- *Tip: Use a bubble level (not included) to check if the desktop is even.*
- Using the desk for the first time, you will need to **reset the system**. Please refer to **Digital Control Panel User Guide**.

**CAUTION:** At least two people are required when turning over the desk, or serious bodily injuries might occur.

